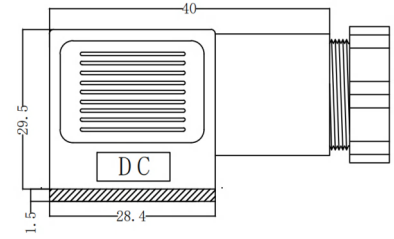
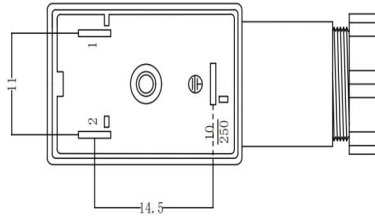
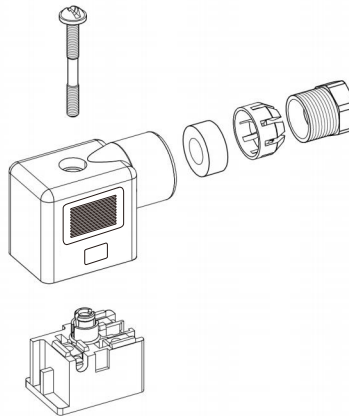


- Solenoid valve connector size B
- Description: Solenoid valve connector size B 2+PE/3+PE



## Assembly Instruction



## Technical Data

Pin No.	2+PE	3+PE
Coding	B	
Rated current	10A	10A
Rated voltage	250V	250V
Operating Temperature	-30 C ~ 120 C	
Degree of protection	IP65	
Connector locking system	Screw	
Mechanical operation	>500 mating cycles	
Contact resistance	≤15mΩ	
Contact material	CuSn (bronze)	
Contact plating	Ni (nickel)	
Contact body material	PA	
Housing material	PA	
EMC compliance	not shielded	

## Order Information

■ Pin No.	■ Coding	■ Part No.	■ Order No.
2+PE	B	VL2+PE-RG007	VL03RG007

Remark: Contact us without hesitation if you have any customized requirements.