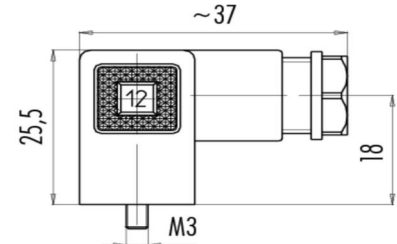
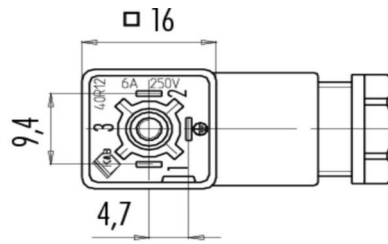
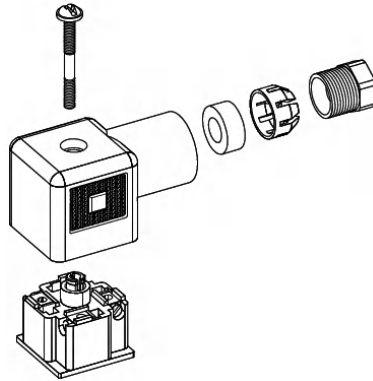


- Solenoid valve connector size C
- Description: Solenoid valve connector size C 2+PE/3+PE



Assembly Instruction



Technical Data

Pin No.	2+PE	3+PE
Coding	C	
Rated current	10A	10A
Rated voltage	250V	250V
Operating Temperature	-30 °C ~ 120 °C	
Degree of protection	IP65	
Connector locking system	Screw	
Mechanical operation	>500 mating cycles	
Contact resistance	≤15mΩ	
Contact material	CuSn (bronze)	
Contact plating	Ni (nickel)	
Contact body material	PA	
Housing material	PA	
EMC compliance	not shielded	

Order Information

Pin No.	Coding	Part No.	Order No.
2+PE	C	VL2+PE-RG009	VL03RG009
3+PE		VL3+PE-RG009	VL04RG009

Remark: Contact us without hesitation if you have any customized requirements.