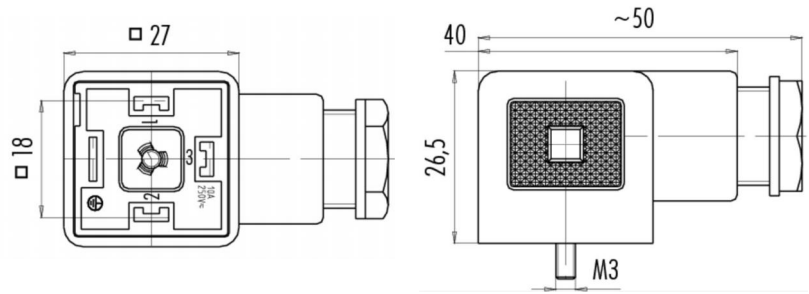
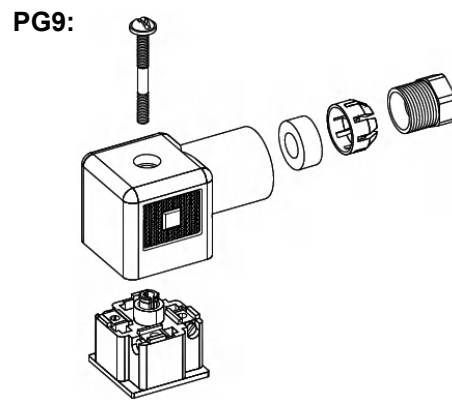
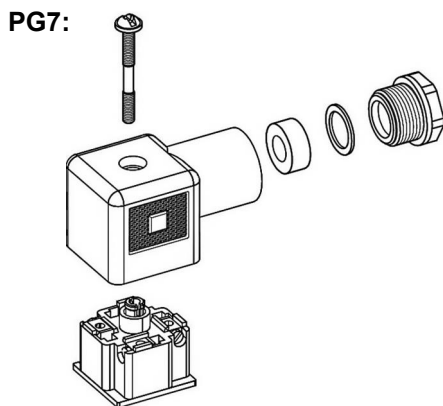


- Solenoid valve connector size A
- Description: Solenoid valve connector size A 2+PE/3+PE



Assembly Instruction



Technical Data

Pin No.	2+PE	3+PE
Coding	A	
Rated current	10A	10A
Rated voltage	250V	250V
Operating Temperature	-30 C ~ 120 C	
Degree of protection	IP65	
Connector locking system	Screw	
Mechanical operation	>500 mating cycles	
Contact resistance	≤15mΩ	
Contact material	CuSn (bronze)	
Contact plating	Ni (nickel)	
Contact body material	PA	
Housing material	PA	
EMC compliance	not shielded	

Order Information

Pin No.	Coding	Part No.	Order No.
2+PE	A	VL2+PE-RG005-PG7	VL03RG005-PG7
2+PE		VL2+PE-RG005-PG9	VL03RG005-PG9
3+PE		VL3+PE-RG005-PG7	VL04RG005-PG7
3+PE		VL3+PE-RG005-PG9	VL04RG005-PG9

Remark: PG7 suitable OD 4-6mm cable, PG9 suitable OD 6-8mm cable. Contact us without hesitation if you have any customized request.