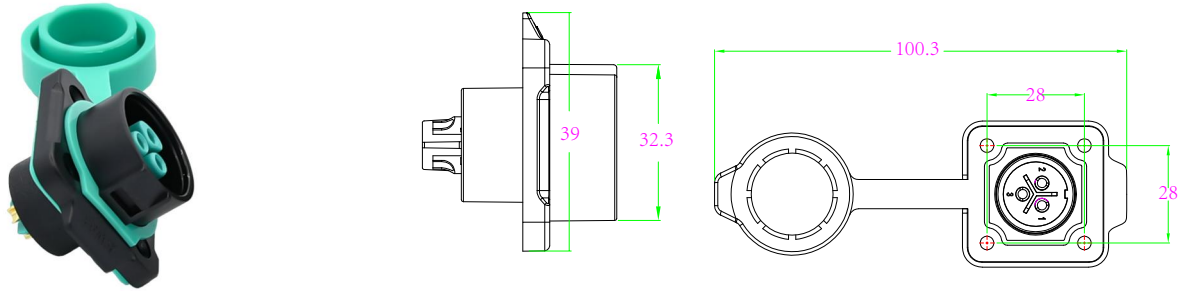


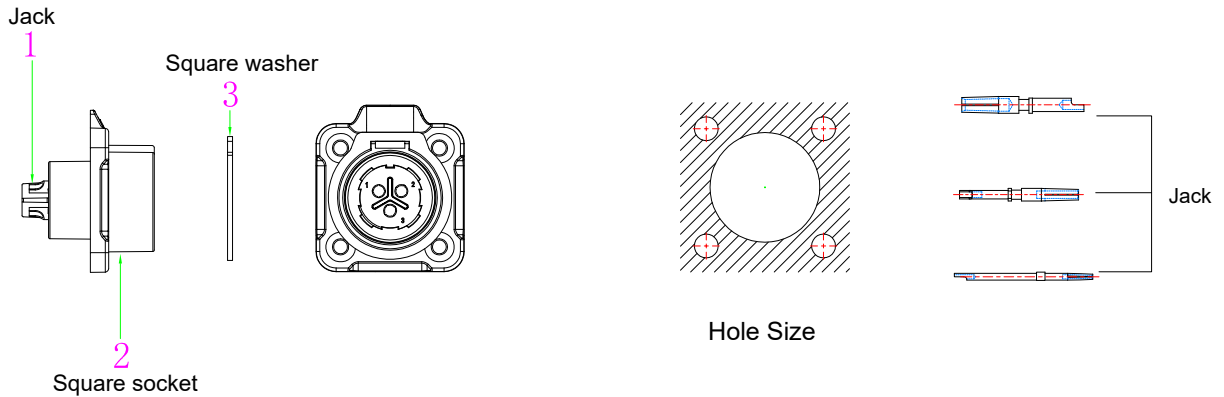
K28 Series



- K28 female square socket
- Description:K28 female square waterproof socket



Assembly Instruction



Technical Data

Pin No.	2	3	4	5	7	8	9
Pin for reference							
Cable AWG	10-13mm ² / 7AWG			2.5-4.0mm ² -/12AWG			
Cable OD	Ø18mm-Ø20mm			Ø13mm ~ Ø15mm			
Rated current	50A			25A			
Rated voltage	500V						
Contact resistance	≤0.5mΩ			≤1mΩ			
Voltage resistance (AC.V)	2500V/min						
Insulation resistance	≤500mΩ						
Operating Temperature	-40℃~80℃						
Degree of protection	silica gel/IP68						
Connector locking system	Assembly						
Mechanical operation	>500 mating cycles						
Button	Zinc alloy						
Pin	Cu alloy(gold plating)						
Body material	High performance engineering plastics						
Fame retardant rating	UL94-V0						
Nut tightening torque	20.5N.M						

Order Information

Part No.	Model No.
K28-F- <input type="text"/> -S Pin No.	RGK28004
Remark:Contact us any time if you have custom requirements.	