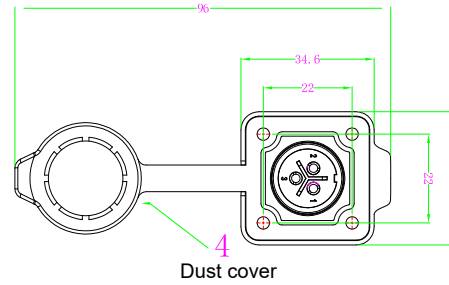


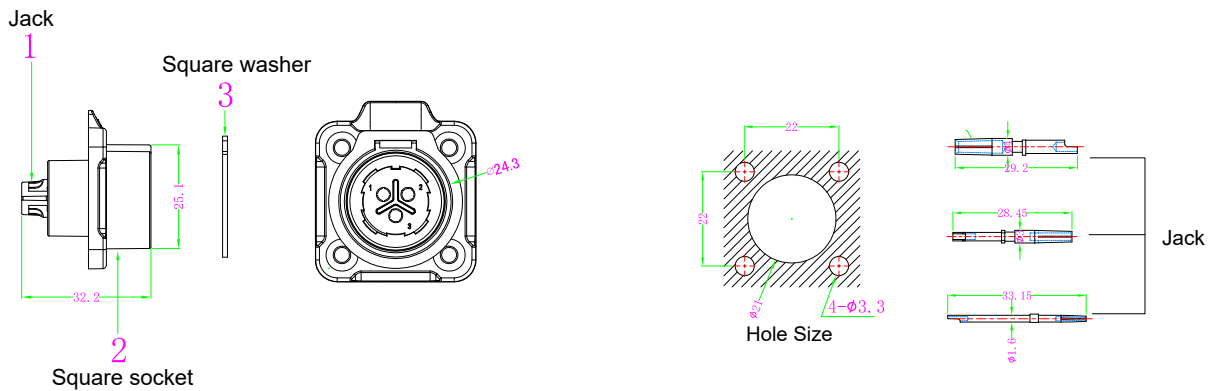
K20 Series



- K20 male square socket
- Description:K20 male square waterproof socket



Assembly Instruction



Technical Data

Pin No.	2	3	4	5	7	9	12
Pin for reference							
Cable AWG	2.5-4.0mm ² / 14-12AWG			1.0-1.5mm ² / 18-16AWG		0.3-0.5mm ² / 22-20AWG	
Cable OD	Ø9mm ~ Ø13mm			Ø7mm ~ Ø10mm			
Rated current	25A			12A		5A	
Rated voltage	500V			250V		200V	
Contact resistance	≤1.0mΩ			≤2.5mΩ		≤5mΩ	
Voltage resistance (AC.V)	2500V/min					1500V/min	
Insulation resistance	≤500mΩ						
Operating Temperature	-40 C ~ 80 C						
Degree of protection	silica gel/IP68						
Connector locking system	Assembly						
Mechanical operation	>500 mating cycles						
Button	Zinc alloy						
Pin	Cu alloy(gold plating)						
Body material	High performance engineering plastics						
Fame retardant rating	UL94-V0						
Nut tightening torque	13N.M						

Order Information

Part No.	Model No.
K20-M- <input type="text"/> -S Pin No.	RGK20008
Remark:Contact us any time if you have custom requirements.	