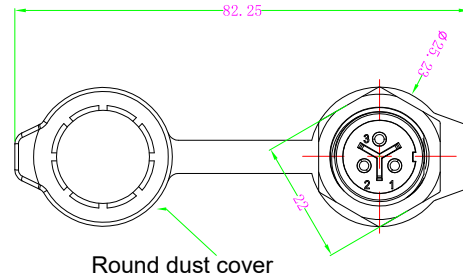
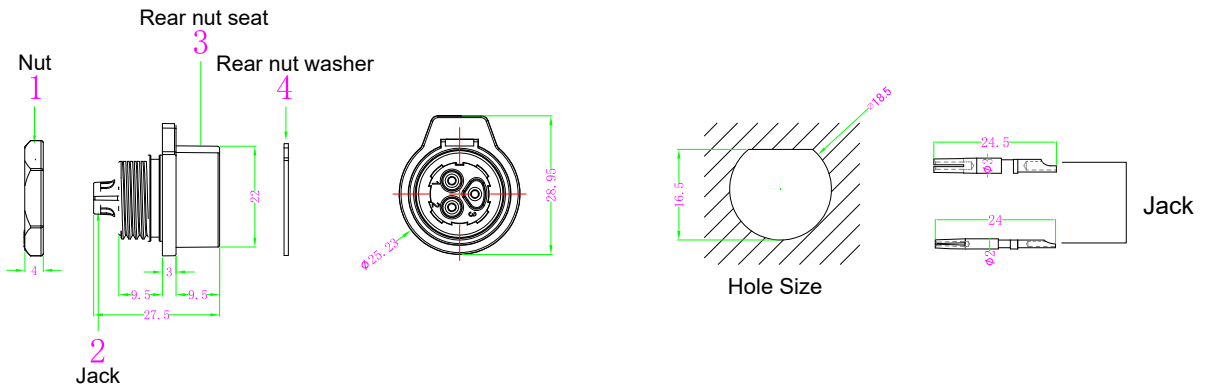


- K16 male round rear nut socket
- Description:K16 male round rear nut waterproof socket



## Assembly Instruction



## Technical Data

Pin No.	2	3	4	5	7	8	9
Pin for reference							
Cable AWG	1.0-1.5mm <sup>2</sup> / 18-16AWG				0.3-0.5mm <sup>2</sup> / 22-20AWG		
Cable OD	Ø3mm ~ Ø9mm						
Rated current	10A			5A			
Rated voltage	500V			250V			
Contact resistance	≤2.5mΩ			≤5mΩ			
Voltage resistance (AC.V)	2500V/min			1500V/min			
Insulation resistance	≤500mΩ						
Operating Temperature	-40 C ~ 80 C						
Degree of protection	silica gel/IP68						
Connector locking system	Assembly						
Mechanical operation	>500 mating cycles						
Button	Zinc alloy						
Pin	Cu alloy(gold plating)						
Body material	High performance engineering plastics						
Fame retardant rating	UL94-V0						
Nut tightening torque	9.5N.M						

## Order Information

■ Part No.	■ Model No.
K16-M- <input type="text"/> -R Pin No.	RGK16007
Remark:Contact us any time if you have custom requirements.	