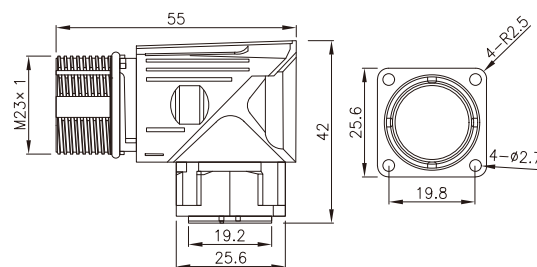
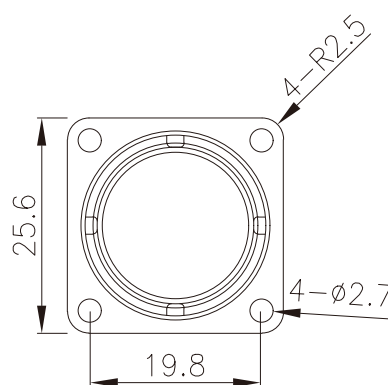
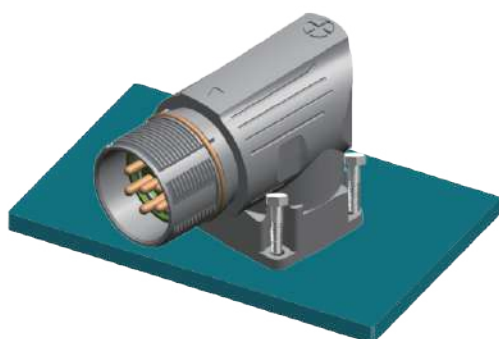


M23 Series

- M23 623 signal male plug,90degree.
- Description:M23 623 signal male plug,90degree.



Assembly Instruction



Technical Date

Pin No.	6	7	9	12	17
Pin for reference					
Coupling	Threaded coupling				
Rated current	20A	20A	8A/20A	8A	8A
Rated voltage	250V	250V	260V/300V	260V	260V
Operating Temperature	-20 C~85 C				
Degree of protection	IP67				
Termination	Solder				
Mechanical operation	>500 mating cycles				
Contact resistance	≤3mΩ				
Material of contact	CuZn/CuSn(brass/bronze)				
Contact plating	Au(gold plating)				
Material of contact body	PET (UL 94 V-0)				
Material of housing	CuZn(brass,nickel plated)				
Wire gauge	14AWG	14AWG	16AWG	18AWG	18AWG

Order Information

Part No.	Model No.
M23-MS- <input type="text"/> -623-C Pin No.	RG62305
Remark:Contact us any time if you have custom requirements.	