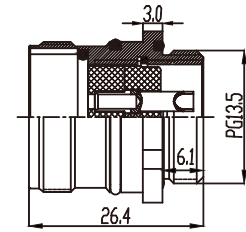
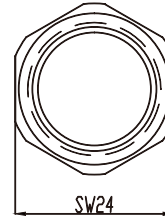


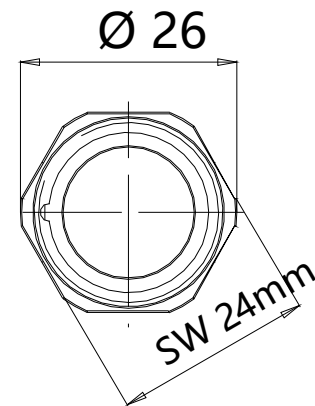
# M23 Series



- 623T rear panel mount female socket
- Description: 623T rear panel mount hex nut female socket, straight, solder type



## Assembly Instruction



## Technical Data

Pin No.	6	9	12	16	19
Pin for reference					
Coupling	Threaded coupling				
Rated current	20 A	8 x 8 A/1 x 20 A	8 A	8 A	16 x 8 A/3 x 10 A
Rated voltage	250 V	250 V	150 V	150 V	150 V
Operating Temperature	-40 °C ~ 125 °C				
Degree of protection	IP67				
Termination	Solder				
Mechanical operation	>500 mating cycles				
Contact resistance	≤3mΩ				
Material of contact	CuZn/CuSn(brass/bronze)				
Contact plating	Au(gold plating)				
Material of contact body	PET (UL 94 V-0)				
Material of housing	CuZn(brass,nickel plated)				
Wire gauge	2,5 mm <sup>2</sup> (AWG 14)	8x1,5 mm <sup>2</sup> (AWG 16)/ 1x2,5 mm <sup>2</sup> (AWG 14)	1,0 mm <sup>2</sup> (AWG 18)	1,0 mm <sup>2</sup> (AWG 18)	16x1 mm <sup>2</sup> (AWG 18)/ 3x1,5 mm <sup>2</sup> (AWG 16)

## Order Information

<p>Part No.</p> <p>623T-PM-F- <input type="text"/> -H</p> <p style="margin-left: 40px;"> </p> <p style="margin-left: 40px;">Pin No.</p>	<p>Model No.</p> <p>RG623T04</p>
<p>Remark: Contact us any time if you have custom requirements.</p>	