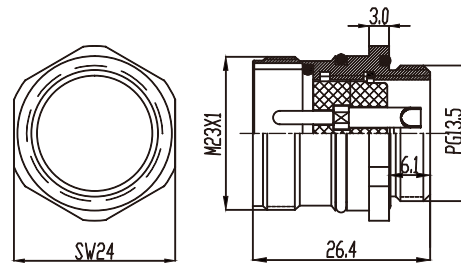
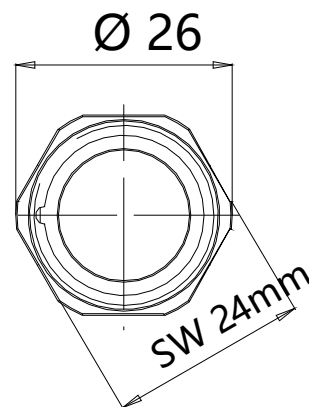
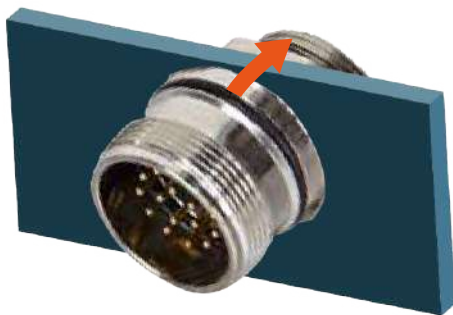


# M23 Series

- 623T rear panel mount male socket
- Description:623T rear panel mount hex unt male socket,straight , solder type



## Assembly Instruction



## Technical Date

Pin No.	6	9	12	16	19
Pin for reference					
Coupling	Threaded coupling				
Rated current	20 A	8 x 8 A/1 x 20 A	8 A	8 A	16 x 8 A/3 x 10 A
Rated voltage	250 V	250 V	150 V	150 V	150 V
Operating Temperature	-40 °C ~ 125 °C				
Degree of protection	IP67				
Termination	Solder				
Mechanical operation	>500 mating cycles				
Contact resistance	≤3mΩ				
Material of contact	CuZn/CuSn(brass/bronze)				
Contact plating	Au(gold plating)				
Material of contact body	PET (UL 94 V-0)				
Material of housing	CuZn(brass,nickel plated)				
Wire gauge	2,5 mm <sup>2</sup> (AWG 14)	8x1,5 mm <sup>2</sup> (AWG 16)/ 1x2,5 mm <sup>2</sup> (AWG 14)	1,0 mm <sup>2</sup> (AWG 18)	1,0 mm <sup>2</sup> (AWG 18)	16x1 mm <sup>2</sup> (AWG 18)/ 3x1,5 mm <sup>2</sup> (AWG 16)

## Order Information

■ Part No.	■ Model No.
623T-PM-M- <input type="text"/> -H Pin No.	RG623T03
Remark:Contact us any time if you have custom requirements.	