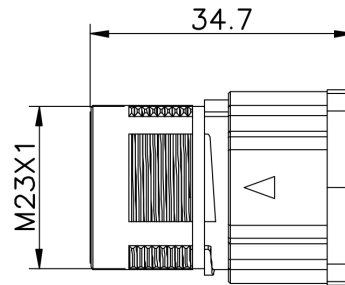


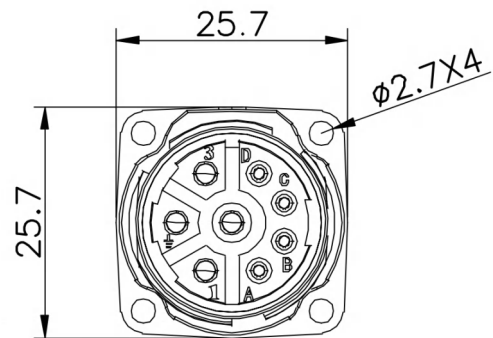
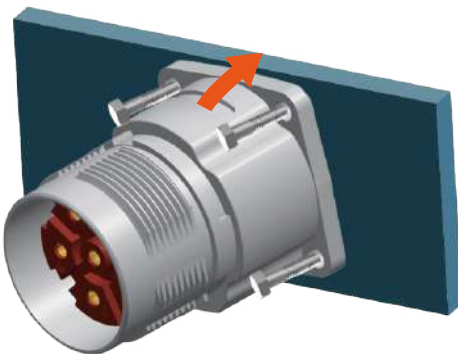
M23 Series



- M23/923 female socket
- Description: M23/923 heavy load square female socket, solder type



Assembly Instruction



Technical Data

Pin No.	6	8
Pin for reference		
Coupling	Threaded coupling	
Rated current	30A	9A/20A
Rated voltage	630V	250V/630V
Operating Temperature	-20 C ~ 85 C	
Degree of protection	IP67	
Termination	Solder	
Mechanical operation	>500 mating cycles	
Contact resistance	$\leq 3m\Omega$	
Material of contact	CuZn/CuSn(brass/bronze)	
Contact plating	Au(gold plating)	
Material of contact body	PET (UL 94 V-0)	
Material of housing	CuZn(brass,nickel plated)	
Wire gauge	14AWG	20AWG

Order Information

Part No.	Model No.
M23-F- <input type="text"/> -923-S Pin No.	RG92304
Remark: Contact us any time if you have custom requirements.	