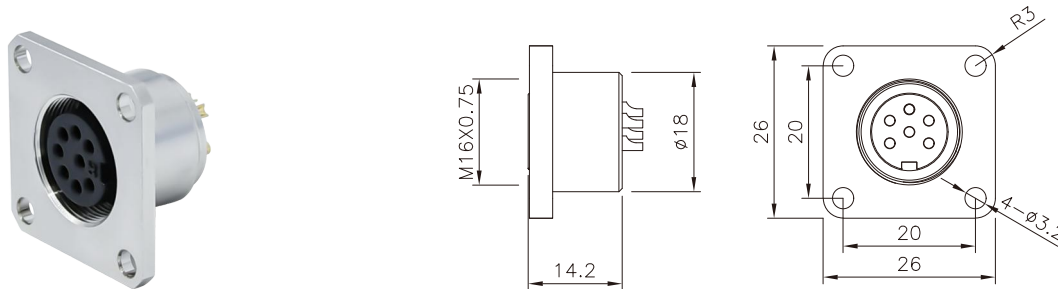
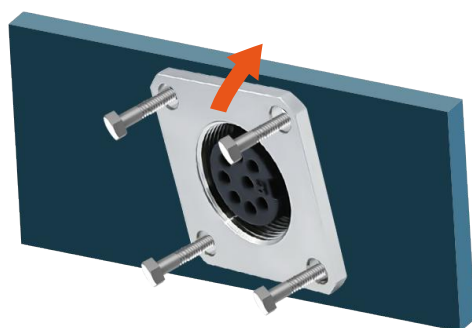


M16 Series

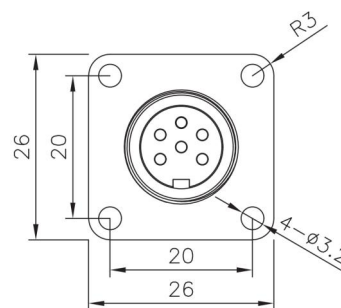
- M16 female panel mount connector ,straight.
- Description:M16 female square panel mount connector , solder type



Assembly Instruction



Hole Size:



Technical Data

Pin No.	2	3(DIN)	4	5	5(Stereo)	6(DIN)	7
Pin for reference							
Type	panel mount						
Rated current	7A	7A	6A	6A	6A	5A	5A
Rated voltage	250V	250V	250V	250V	250V	250V	125V
Operating Temperature	-20℃~80℃						
Degree of protection	IP67/IP68						
Connector locking system	Solder						
Mechanical operation	>500 mating cycles						
Contact resistance	≤5mΩ						
Material of connector	CuZn,TPU						
Contact plating	Au(gold plating)						
Material of housing	Zinc diecasting nickel plated						

Order Information

Part No.	Model No.
M16-PMF-F- <input type="text"/> -S Pin No.	RG163010
Remark:Contact us any time if you have custom requirements.	