

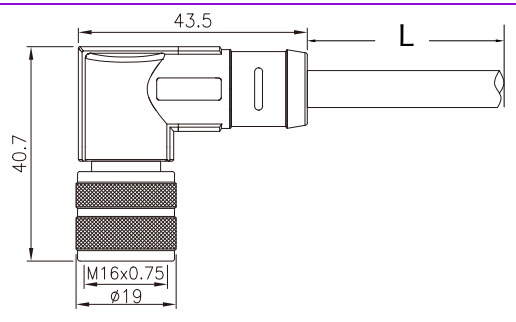
# M16 Series



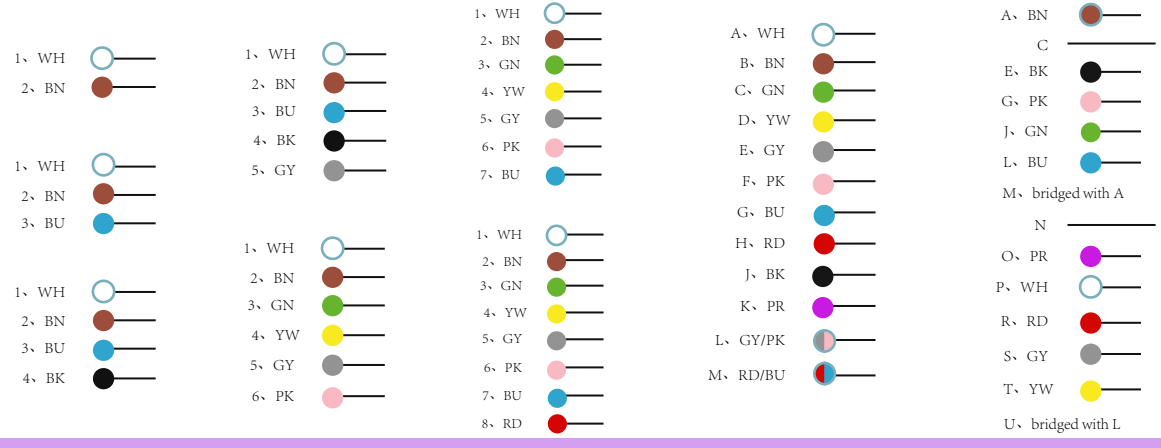
- M16 female molded cable ,90degree
- Description:M16 female molded 90degree shielded cable with free end



Shielded



## Assembly Instruction



## Technical Data

Pin No.	2	3(DIN)	4	5	5(Stereo)	6(DIN)	7
Pin for reference							
Type	Molded						
Rated current	7A	7A	6A	6A	6A	5A	5A
Rated voltage	250V	250V	250V	250V	250V	250V	125V
Operating Temperature	-20 C ~80 C						
Degree of protection	IP67/IP68						
Connector locking system	Solder						
Mechanical operation	>500 mating cycles						
Contact resistance	≤5mΩ						
Material of connector	CuZn,TPU						
Contact plating	Au(gold plating)						
Cable AWG	28AWG -16AWG /Custom						

## Order Information

<p>Part No.</p> <p><b>M16-FR-</b> <input type="text"/> - <input type="text"/> - <input type="text"/> -<b>SH</b></p> <p>Pin No.      Length      Cable materials</p>	<p>Model No.</p> <p><b>RG161004</b></p>
---	---

Remark:Contact us any time if you have custom requirements.

- M5
- M8
- M9
- M12
- M16
- M18
- M23
- 7/8"
- M Box
- Value
- RJ45
- USB
- D-SUB
- RD24
- RD30