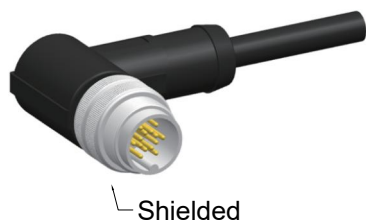
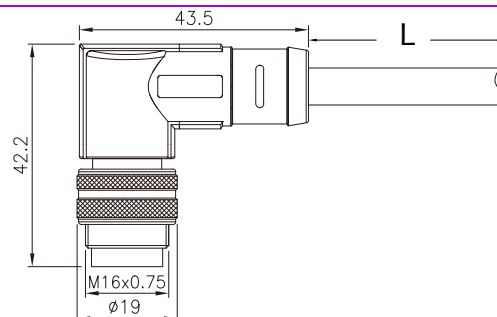


M16 Series

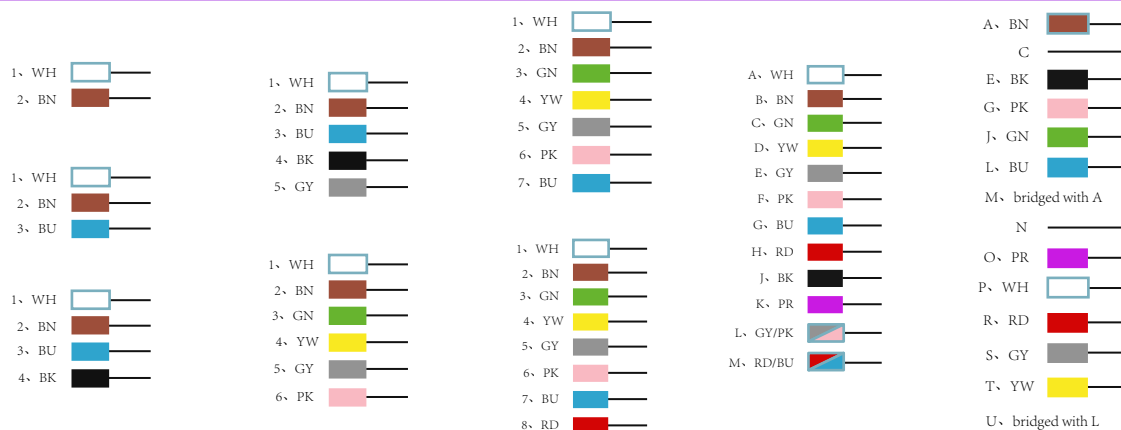
- M16 male molded cable ,90degree
- Description:M16 male molded 90degree shielded cable with free end



Shielded



Assembly Instruction



Technical Data

Pin No.	2	3(DIN)	4	5	5(Stereo)	6(DIN)	7
Pin for reference							
Type	Molded						
Rated current	7A	7A	6A	6A	6A	5A	5A
Rated voltage	250V	250V	250V	250V	250V	250V	125V
Operating Temperature	-20 C ~80 C						
Degree of protection	IP67/IP68						
Connector locking system	Solder						
Mechanical operation	>500 mating cycles						
Contact resistance	≤5mΩ						
Material of connector	CuZn,TPU						
Contact plating	Au(gold plating)						
Cable AWG	28AWG -16AWG /Custom						

Order Information

<p>Part No.</p> <p>M16-MR- <input type="text"/> - <input type="text"/> - <input type="text"/> -SH</p> <p>Pin No. Length Cable materials</p>	<p>Model No.</p> <p>RG161002</p>
<p>Remark:Contact us any time if you have custom requirements.</p>	