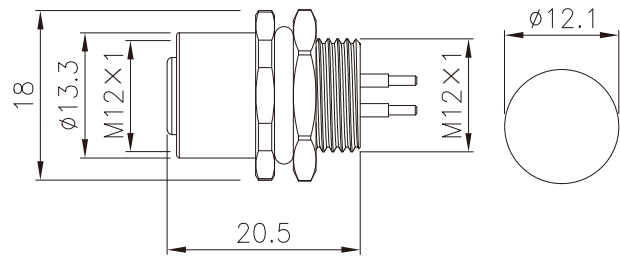
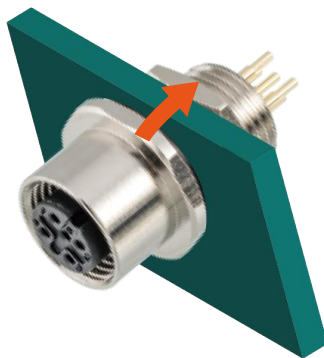


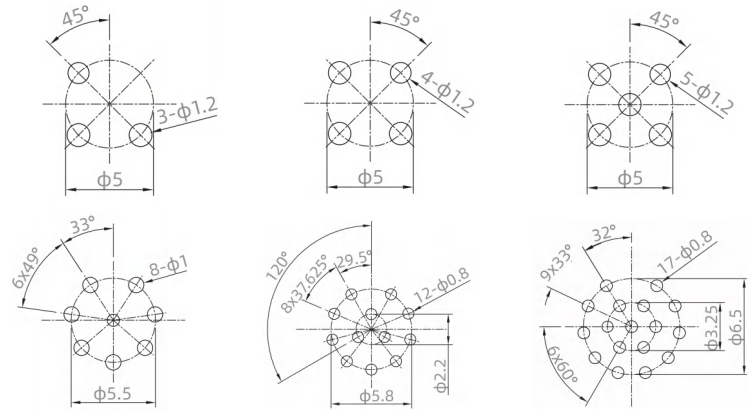
- M12 female panel mount connector ,straight.
- Description:M12 female rear panel mount connector , PCB type



Assembly Instruction



Drilling schemes female insert (PCB):



Technical Data

Pin No.	3	4	5	8	12	17	5	4
Coding	A	A	A	A	A	A	B	D
Pin for reference								
Type	panel mount							
Rated current	4A	4A	4A	2A	1.5A	1.5A	4A	4A
Rated voltage	250V	250V	60V	30V	30V	30V	60V	250V
Operating Temperature	-25℃~85℃							
Degree of protection	IP67/IP68							
Connector locking system	PCB							
Mechanical operation	>500 mating cycles							
Contact resistance	≤10mΩ							
Material of connector	CuZn,TPU							
Contact plating	Au(gold plating)							
Material of housing	Brass/Zinc diecasting nickel plated							

Order Information

Part No.	Model No.
M12- <input type="text"/> -PMP-F- <input type="text"/> -R	RG123012
Coded	Pin No.

Remark:Contact us any time if you have custom requirements.