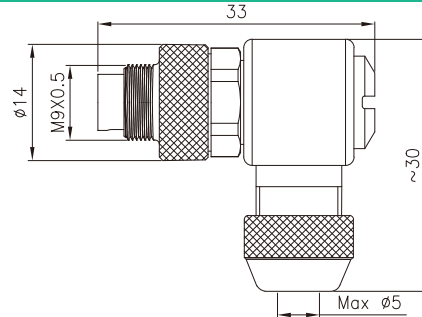


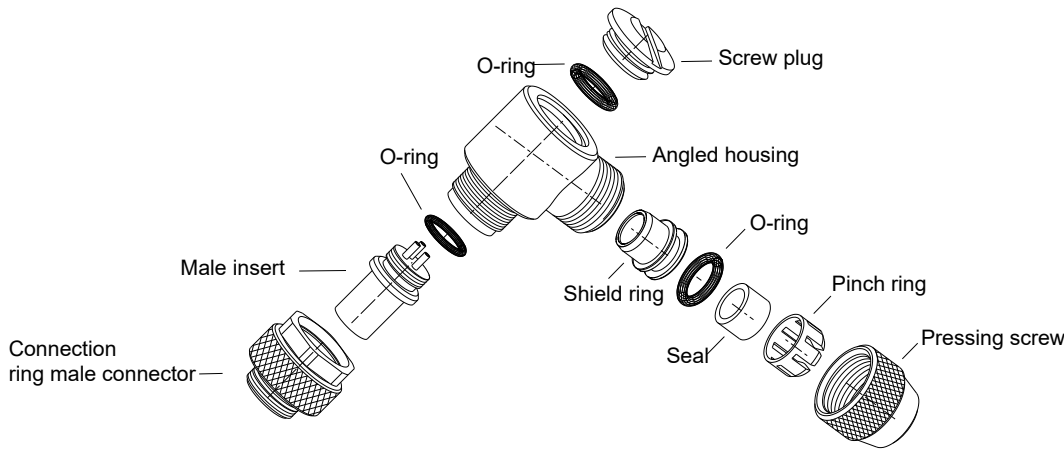
# M9 Series



- M9 male assembly connector ,90degree.
- Description:M9 male assembly connector ,90degree,shielded.



## Assembly Instruction



## Technical Data

Pin No.	2	3	4	5	6	7	8
Coding	A	A	A	A	A	A	A
Pin for reference							
Type	Assembly						
Rated current	4A	4A	3A	3A	1A	1A	1A
Rated voltage	125V	125V	125V	125V	125V	125V	125V
Operating Temperature	-40 C~85 C						
Degree of protection	IP67						
Connector locking system	Screw						
Mechanical operation	>500 mating cycles						
Contact resistance	≤3mΩ						
Material of connector	CuSn						
Contact plating	Au(gold plating)						
Cable size	24AWG	24AWG	24AWG	24AWG	26AWG	26AWG	26AWG

## Order Information

Part No.	Model No.
M9-A-MR- <input type="text"/> -SH Pin No.	SYW092002

Remark:We usually made the free end type strip 30mm. shielded wire contact the metal shell .contact us any time if you have custom requirements.