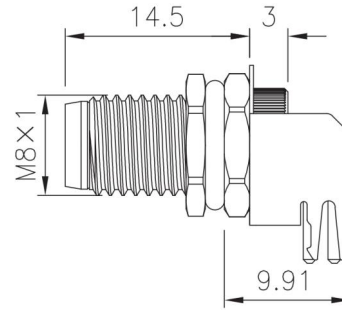
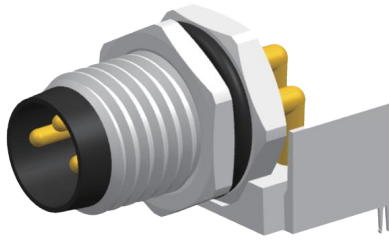


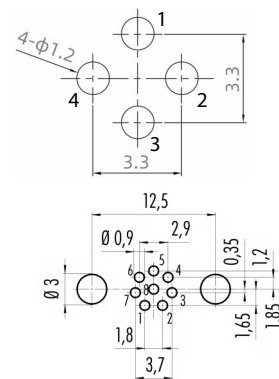
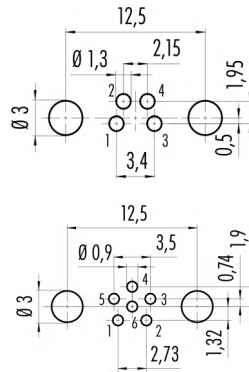
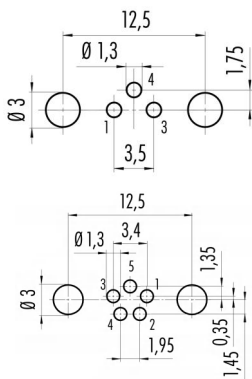
# M8 Series

- M8 male panel mount connector ,90degree.
- Description:M8 male panel mount connector , PCB type



## Assembly Instruction

Drilling schemes male insert (PCB):



## Technical Data

Pin No.	3	4	4	5	6	8
Coding	A	A	D	B	A	A
Pin for reference						
Type	panel mount					
Rated current	3A	3A	4A	3A	1.5A	1.5A
Rated voltage	60V	60V	60V	30V	30V	30V
Operating Temperature	-25℃~85℃					
Degree of protection	IP67/IP68					
Connector locking system	PCB					
Mechanical operation	>500 mating cycles					
Contact resistance	≤10mΩ					
Material of connector	CuZn,PA					
Contact plating	Au(gold plating)					
Filling material	Epoxy resin					

## Order Information

Part No.	Moldel No.
M8- <input type="text"/> -PMP-M- <input type="text"/> -RA	RG083014
Coded	Pin No.

Remark:Contact us any time if you have custom requirements.