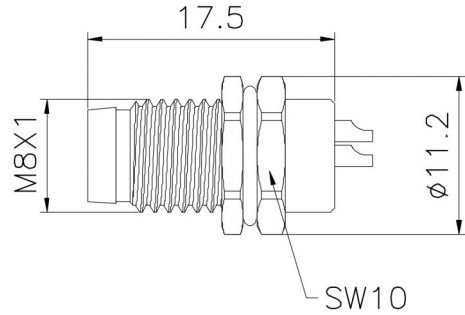
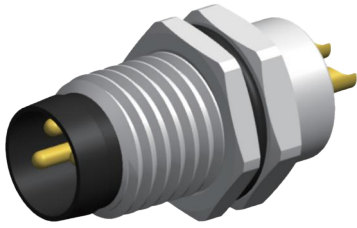


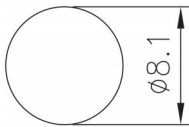
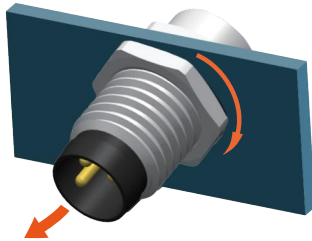
M8 Series



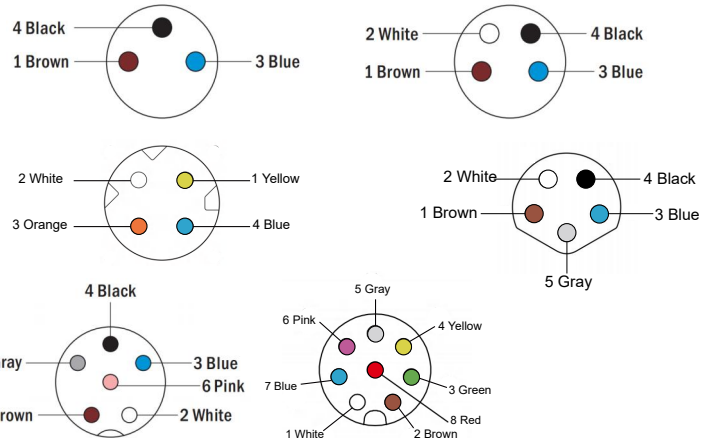
- M8 male panel mount connector ,straight.
- Description:M8 male front panel mount connector , solder type



Assembly Instruction



Hole Size



Technical Data

Pin No.	3	4	4	5	6	8
Coding	A	A	D	B	A	A
Pin for reference						
Type	panel mount					
Rated current	3A	3A	4A	3A	1.5A	1.5A
Rated voltage	60V	60V	60V	30V	30V	30V
Operating Temperature	-25℃~85℃					
Degree of protection	IP67/IP68					
Connector locking system	Solder					
Mechanical operation	>500 mating cycles					
Contact resistance	≤10mΩ					
Material of connector	CuZn,PA					
Contact plating	Au(gold plating)					
Filling material	Epoxy resin					

Order Information

Part No.	Moldel No.
M8- <input type="text"/> -PMS-M- <input type="text"/> -F	RG083000
Coded Pin No.	

Remark:Contact us any time if you have custom requirements.