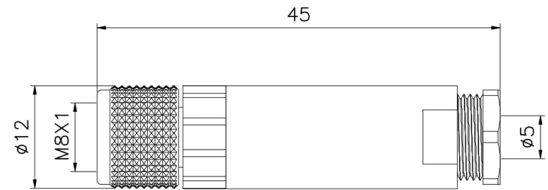
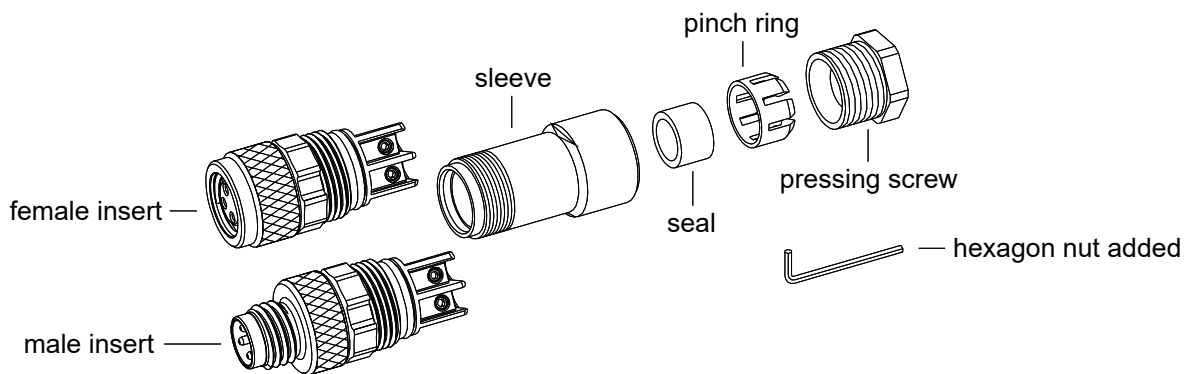


- M8 female assembly connector ,straight
- Description:M8 female straight plastic screw assembly connector ,A/B/D coded.



Assembly Instruction



Technical Data

Pin No.	3	4	4	5	6	8
Coding	A	A	D	B	A	A
Pin for reference						
Type	Assembly					
Rated current	3A	3A	4A	3A	1.5A	1.5A
Rated voltage	60V	60V	60V	30V	30V	30V
Operating Temperature	-25℃~85℃					
Degree of protection	IP67/IP68					
Connector locking system	Screw					
Mechanical operation	>500 mating cycles					
Contact resistance	≤10mΩ					
Material of connector	CuZn,TPU					
Contact plating	Au(gold plating)					
Outlet	Suitable OD 3-6mm cable					

Order Information

<ul style="list-style-type: none"> ■ Part No. <p>M8- <input type="text"/> -FS- <input type="text"/></p> <p style="text-align: center;">Coded Pin No.</p>	<ul style="list-style-type: none"> ■ Model No. <p style="text-align: center;">RG082002</p>
--	---

Remark:Contact us any time if you have custom requirements.