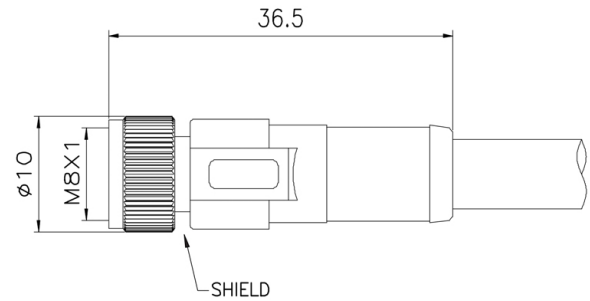
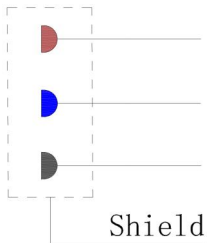


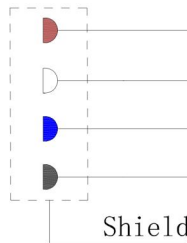
- M8 female molded cable ,straight ,shielded
- Description:M8 female molded straight shielded cable with free end,A/B/D coded



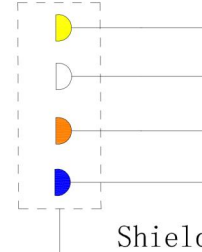
Assembly Instruction



- 1 Brown
- 3 Blue
- 4 Black



- 1 Brown
- 2 White
- 3 Blue
- 4 Black



- 1 Yellow
- 2 White
- 3 Orange
- 4 Blue

Technical Data

Pin No.	3	4	4	5	6	8
Coding	A	A	D	B	A	A
Pin for reference						
Type	Molded					
Rated current	3A	3A	4A	3A	1.5A	1.5A
Rated voltage	60V	60V	60V	30V	30V	30V
Operating Temperature	-25 C ~85 C					
Degree of protection	IP67/IP68					
Connector locking system	Solder					
Mechanical operation	>500 mating cycles					
Contact resistance	≤10mΩ					
Material of connector	CuZn,TPU or PVC					
Contact plating	Au(gold plating)					
Cable size	0.25mm ²	0.25mm ²	0.25mm ²	0.25mm ²	0.14mm ²	0.14mm ²

Order Information

■ Part No.	■ Model No.
M8- <input type="text"/> -FS- <input type="text"/> - <input type="text"/> - <input type="text"/> -SH	RG081007
<div style="display: flex; justify-content: space-around; width: 100%;"> <div style="text-align: center;">Coded</div> <div style="text-align: center;">Pin No.</div> <div style="text-align: center;">Length</div> <div style="text-align: center;">Cable materials</div> </div>	

Remark: We usually made the free end type strip 30mm. shielded wire contact the metal shell .contact us any time if you have custom requirements.