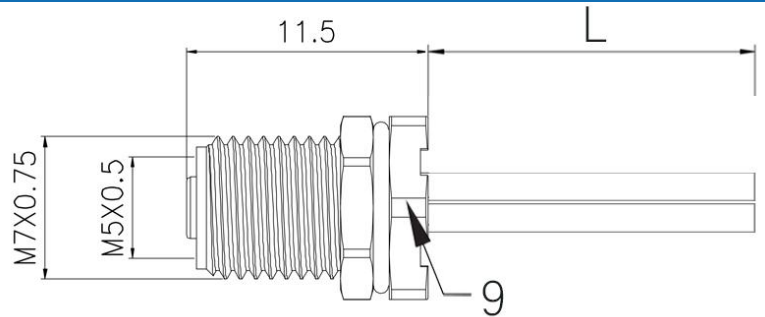
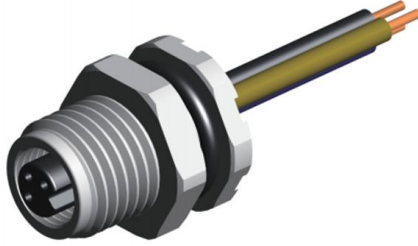


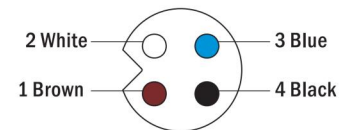
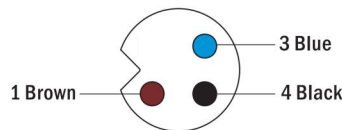
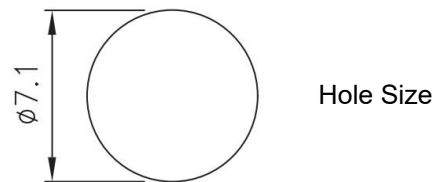
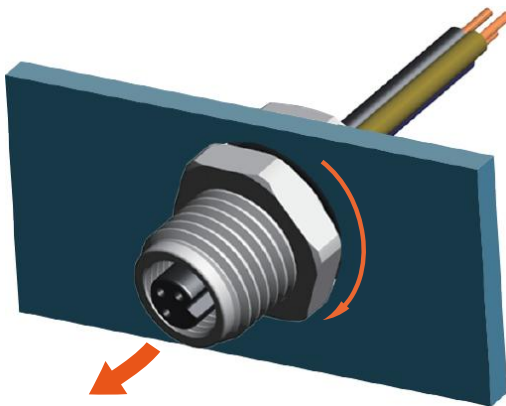
M5 Series



- M5 female panel mount connector ,straight.
- Description:M5 female front panel mount connector , with wires



Assembly Instruction



Technical Data

Pin No.	3	4
Coding	A	A
Pin for reference		
Type	panel mount	
Rated current	1A	1A
Rated voltage	60V	60V
Operating Temperature	-25℃~80℃	
Degree of protection	IP67/IP68	
Connector locking system	Solder	
Mechanical operation	>500 mating cycles	
Contact resistance	≤3mΩ	
Material of connector	CuZn,TPU	
Contact plating	Au(gold plating)	
Material of housing	CuZn / Brass nickel plated	

Order Information

Part No. M5-A-PMW-F- <input type="text"/> -F- <input type="text"/> <div style="display: flex; justify-content: space-around; width: 100%;"> <div style="text-align: center;"> Pin No. </div> <div style="text-align: center;"> Length </div> </div>	Model No. RG053009
--	------------------------------

Remark:Contact us any time if you have custom requirements.

- M5
- M8
- M9
- M12
- M16
- M18
- M23
- 7/8"
- M Box
- Value
- RJ45
- USB
- D-SUB
- RD24
- RD30