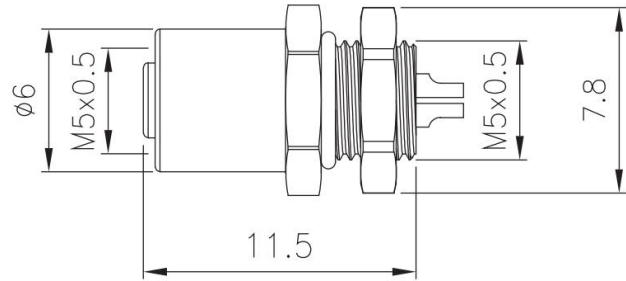
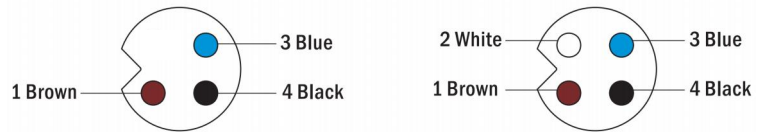
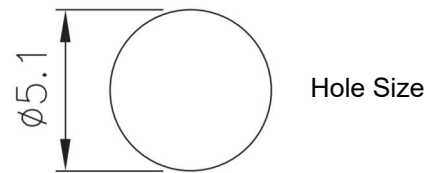
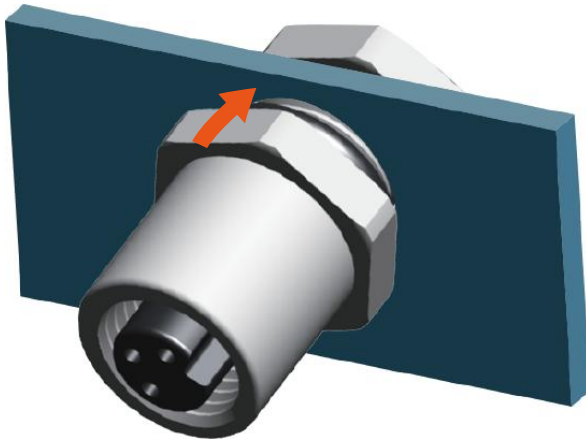


# M5 Series

- M5 female panel mount connector ,straight.
- Description:M5 female rear panel mount connector ,solder type



## Assembly Instruction



## Technical Data

Pin No.	3	4
Coding	A	A
Pin for reference		
Type	panel mount	
Rated current	1A	1A
Rated voltage	60V	60V
Operating Temperature	-25℃~80℃	
Degree of protection	IP67/IP68	
Connector locking system	Solder	
Mechanical operation	>500 mating cycles	
Contact resistance	≤3mΩ	
Material of connector	CuZn,TPU	
Contact plating	Au(gold plating)	
Material of housing	CuZn / Brass nickel plated	

## Order Information

■ Part No.	■ Model No.
M5-A-PMS-F- <input type="text"/> -R Pin No.	RG053003

Remark:Contact us any time if you have custom requirements.