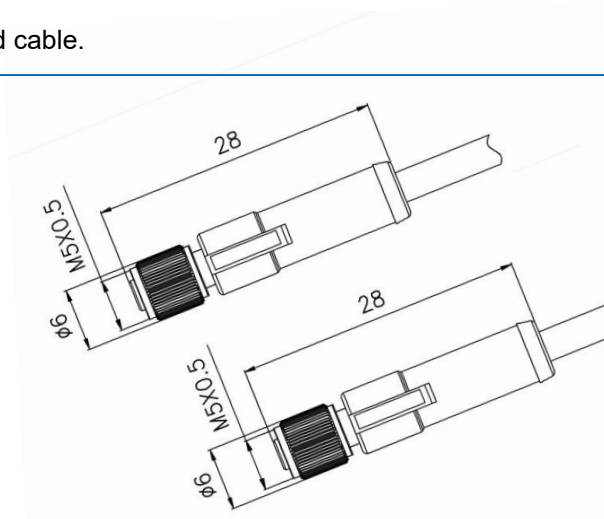


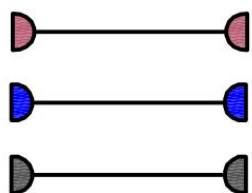
M5 Series



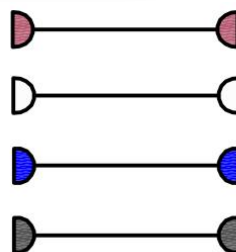
- M5 female to female molded cable.
- Description: M5 female straight to female straight molded cable.



Assembly Instruction



1 Brown
3 Blue
4 Black



1 Brown
2 White
3 Blue
4 Black

Technical Data

| | | |
|--------------------------|---------------------|---------------------|
| Pin No. | 3 | 4 |
| Coding | A | A |
| Pin for reference | | |
| Type | Molded | |
| Rated current | 1A | 1A |
| Rated voltage | 60V | 60V |
| Operating Temperature | -25℃~80℃ | |
| Degree of protection | IP67/IP68 | |
| Connector locking system | Solder | |
| Mechanical operation | >500 mating cycles | |
| Contact resistance | ≤3mΩ | |
| Material of connector | CuZn,TPU | |
| Contact plating | Au(gold plating) | |
| Cable size | 0.14mm ² | 0.14mm ² |

Order Information

| | |
|--|-------------|
| ■ Part No. | ■ Model No. |
| M5-A-FS- <input type="text"/> - <input type="text"/> - <input type="text"/> -FS <small>Pin No. Length Cable materials</small> | RG051057 |

Remark: Cable materials usually use PVC or PUR. Contact us any time if you have custom requirements.