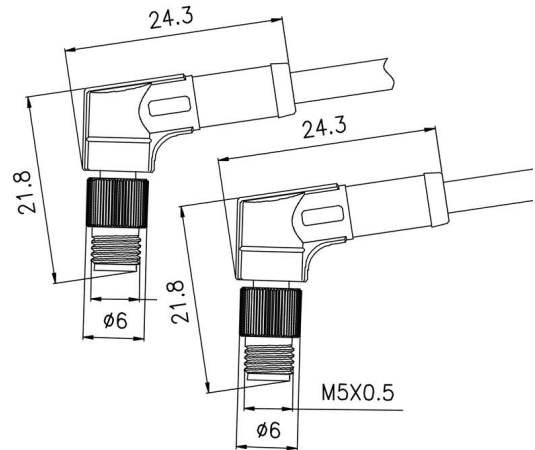


M5 Series



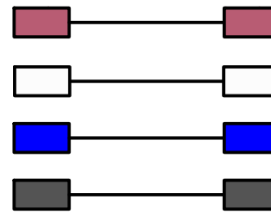
- M5 male to male molded cable.
- Description: M5 male 90degree to male 90degree molded cable.



Assembly Instruction



- 1 Brown
- 3 Blue
- 4 Black



- 1 Brown
- 2 White
- 3 Blue
- 4 Black

Technical Data

Pin No.	3	4
Coding	A	A
Pin for reference		
Type	Molded	
Rated current	1A	1A
Rated voltage	60V	60V
Operating Temperature	-25°C ~ 80°C	
Degree of protection	IP67/IP68	
Connector locking system	Solder	
Mechanical operation	>500 mating cycles	
Contact resistance	≤3mΩ	
Material of connector	CuZn, TPU	
Contact plating	Au(gold plating)	
Cable size	0.14mm ²	0.14mm ²

Order Information

■ Part No.	■ Model No.
M5-A-MR- <input type="text"/> - <input type="text"/> - <input type="text"/> -MR	RG051054
<div style="display: flex; justify-content: space-around; font-size: small;"> Pin No. Length Cable materials </div>	

Remark: Cable materials usually use PVC or PUR. Contact us any time if you have custom requirements.

