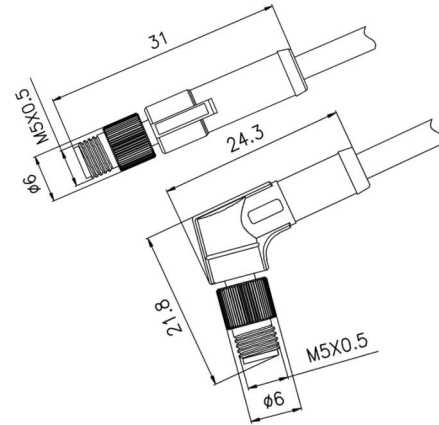


# M5 Series



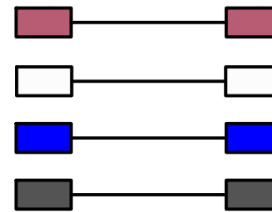
- M5 male to male molded cable.
- Description: M5 male straight to male 90degree molded cable.



## Assembly Instruction



- 1 Brown
- 3 Blue
- 4 Black



- 1 Brown
- 2 White
- 3 Blue
- 4 Black

## Technical Data

Pin No.	3	4
Coding	A	A
Pin for reference		
Type	Molded	
Rated current	1A	1A
Rated voltage	60V	60V
Operating Temperature	-25℃~80℃	
Degree of protection	IP67/IP68	
Connector locking system	Solder	
Mechanical operation	>500 mating cycles	
Contact resistance	≤3mΩ	
Material of connector	CuZn,TPU	
Contact plating	Au(gold plating)	
Cable size	0.14mm <sup>2</sup>	0.14mm <sup>2</sup>

## Order Information

Part No.	Model No.
M5-A-MS- <input type="text"/> - <input type="text"/> - <input type="text"/> -MR	RG051051
<small>Pin No.      Length      Cable materials</small>	

Remark: Cable materials usually use PVC or PUR. Contact us any time if you have custom requirements.