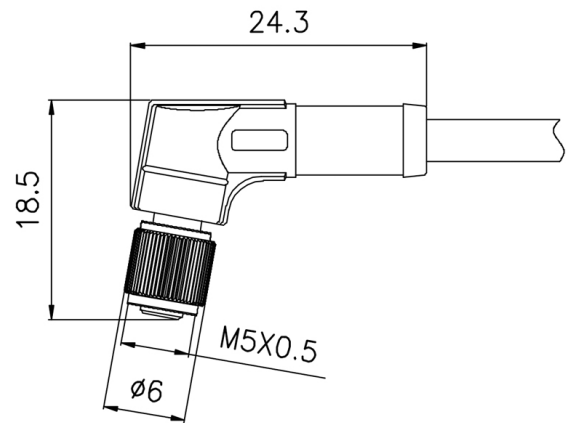


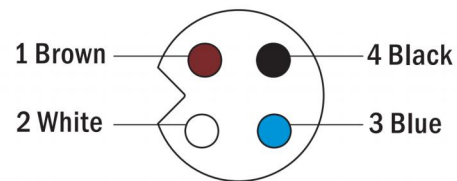
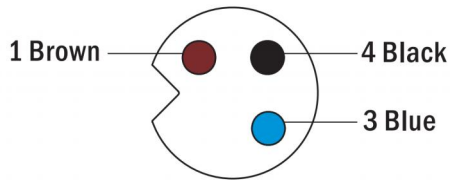
M5 Series



- M5 female molded cable ,R/A.
- Description:M5 female molded 90degree cable with free end.



Assembly Instruction



Technical Data

Pin No.	3	4
Coding	A	A
Pin for reference		
Type	Molded	
Rated current	1A	1A
Rated voltage	60V	60V
Operating Temperature	-25 C ~80 C	
Degree of protection	IP67/IP68	
Connector locking system	Solder	
Mechanical operation	>500 mating cycles	
Contact resistance	≤3mΩ	
Material of connector	CuZn,TPU	
Contact plating	Au(gold plating)	
Cable size	0.14mm ²	0.14mm ²

Order Information

■ Part No.	■ Model No.
M5-A-FR- <input type="text"/> - <input type="text"/> - <input type="text"/>	RG051003
Pin No. Length Cable materials	

Remark: We usually made the free end type strip 30mm. shielded wire contact the metal shell .contact us any time if you have custom requirements.