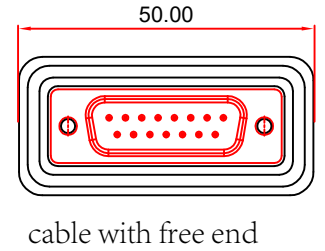
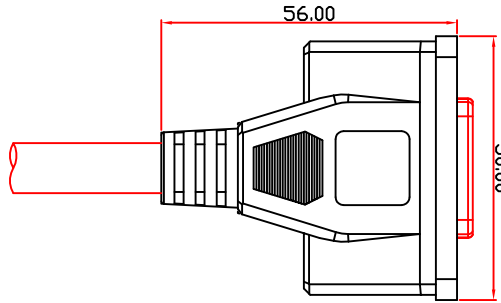
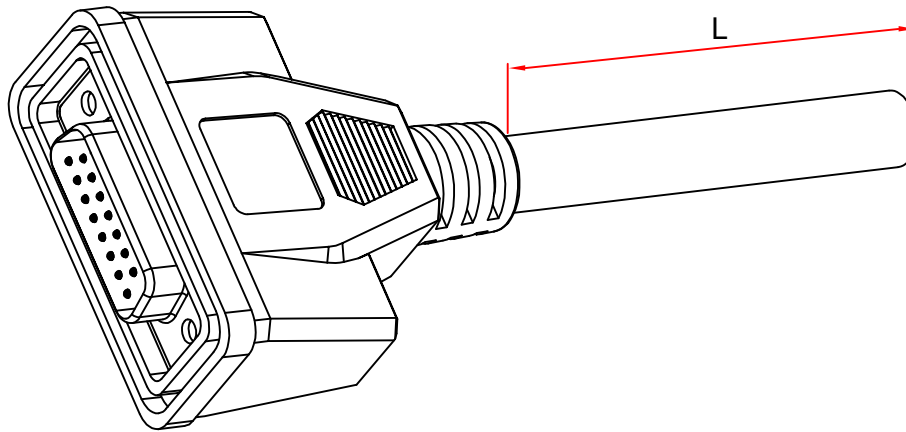


D-SUB Series

- D-SUB waterproof connector cable
- Description: D-SUB 15pin male field wirable molded waterproof connector cable with free end



Assembly Instruction



Technical Data

Pin No.	15
Pin for reference	
Type	Molded
Operating Temperature	-30 C ~105 C
Degree of protection	IP67/IP68
Connector locking system	Solder
Mechanical operation	>500 mating cycles
Contact resistance	≤10mΩ
Material of connector	CuZn PA66
Contact plating	Au(gold plating)
Cable Size	28AWG- 22AWG

Order Information

<p>■ Part No.</p> <p>D-SUB-15-M- <input type="text"/> - <input type="text"/></p> <p style="text-align: center;">Length Cable materials</p>	<p>■ Model No.</p> <p>RG-DB07</p>
---	-----------------------------------

Remark: Contact us any time if you have custom requirements.