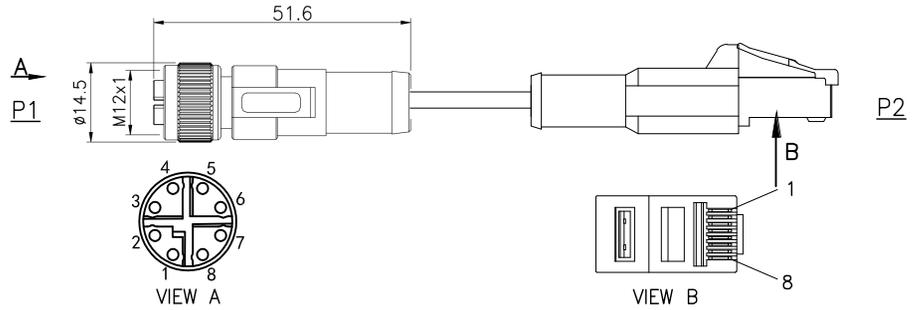


M12 Series

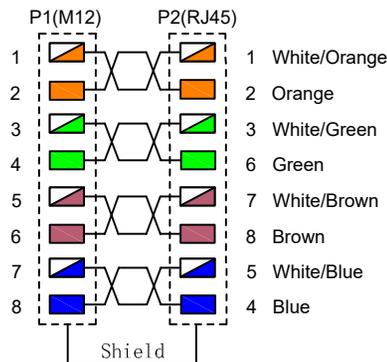


- M12 female to RJ45 cable
- Description: M12 8pin female straight X coded to RJ45 male cable



Assembly Instruction

M12 female 8X coded/RJ45 wiring definition(shielded):



Technical Data

| | |
|--------------------------|----------------------------------|
| Pin No. | 8 |
| Coding | X |
| Pin for reference | |
| Type | Molded |
| Rated current | 2A |
| Rated voltage | 30V |
| Operating Temperature | -25 °C ~ 85 °C |
| Degree of protection | IP67/IP68 |
| Connector locking system | Solder |
| Mechanical operation | >500 mating cycles |
| Contact resistance | ≤10mΩ |
| Material of connector | CuZn, TPU |
| Contact plating | Au(gold plating) |
| Cable materials | Cat 5e / Cat 6e / Custom request |

Order Information

| | |
|--|--------------------------------------|
| Part No. M12X8FS-RJ45 - <input type="text"/> - <input type="text"/> - <input type="text"/> Cable length Cable materials Shielded/Empty | Model No. RG1245011 |
| Remark: Contact us any time if you have custom requirements. | |