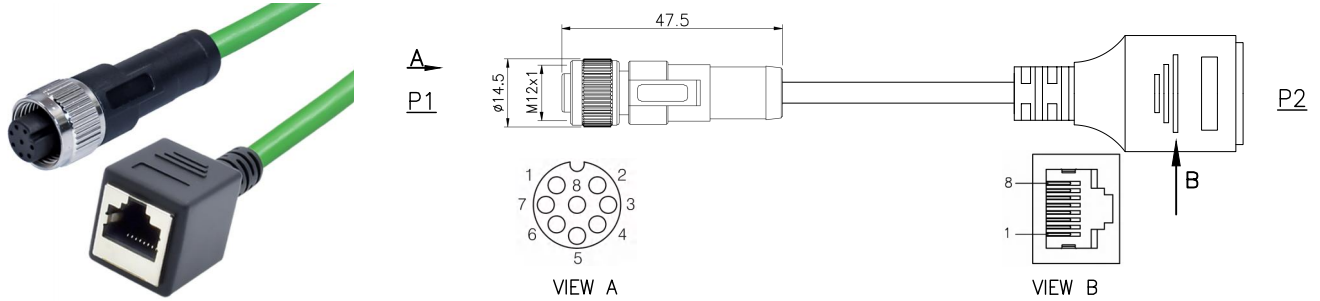


# M12 Series

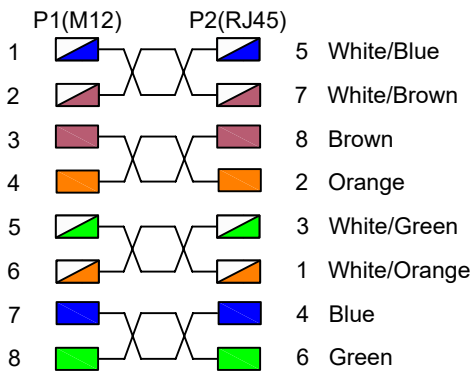


- M12 female to RJ45 cable
- Description: M12 8pin female straight A coded to RJ45 female cable

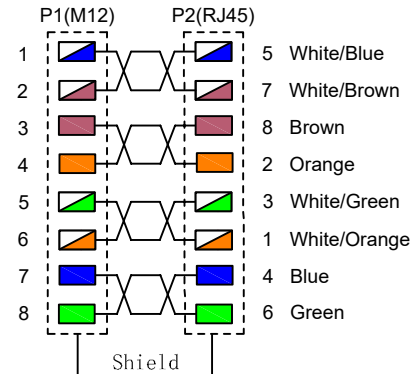


## Assembly Instruction

M12 female 8A coded/RJ45 wiring definition:



M12 female 8A coded/RJ45 wiring definition(shielded):



## Technical Data

Pin No.	8
Coding	A
Pin for reference	
Type	Molded
Rated current	2A
Rated voltage	30V
Operating Temperature	-25 °C ~ 85 °C
Degree of protection	IP67/IP68
Connector locking system	Solder
Mechanical operation	>500 mating cycles
Contact resistance	≤10mΩ
Material of connector	CuZn, TPU
Contact plating	Au(gold plating)
Cable materials	Cat 5e / Cat 6e / Custom request

## Order Information

Part No.	Model No.
M12A8FS-RJ45F - <input type="text"/> - <input type="text"/> - <input type="text"/> Cable length    Cable materials    Shielded/Empty	RG1245021
Remark: Contact us any time if you have custom requirements.	