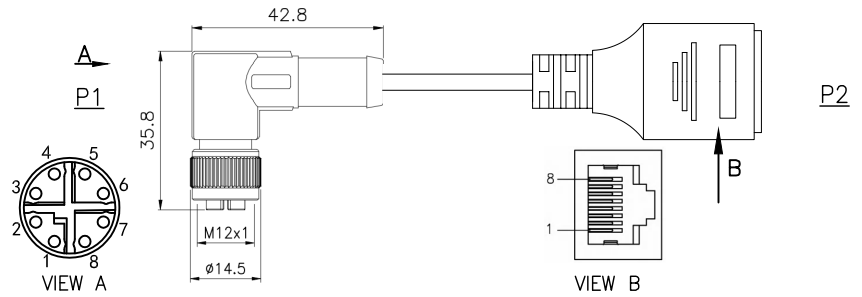


M12 Series

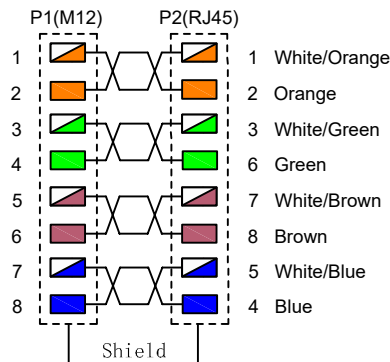


- M12 female to RJ45 cable
- Description: M12 8pin female X coded right angle to RJ45 female cable



Assembly Instruction

M12 female 8X coded/RJ45 wiring definition(shielded):



Technical Data

Pin No.	8
Coding	X
Pin for reference	
Type	Molded
Rated current	2A
Rated voltage	30V
Operating Temperature	-25 °C ~ 85 °C
Degree of protection	IP67/IP68
Connector locking system	Solder
Mechanical operation	>500 mating cycles
Contact resistance	≤10mΩ
Material of connector	CuZn, TPU
Contact plating	Au(gold plating)
Cable materials	Cat 5e / Cat 6e / Custom request

Order Information

<p>Part No.</p> <p>M12X8FR-RJ45F - <input type="text"/> - <input type="text"/> - <input type="text"/></p> <p style="text-align: center;">Cable length Cable materials Shielded/Empty</p>	<p>Model No.</p> <p>RG1245026</p>
<p>Remark: Contact us any time if you have custom requirements.</p>	