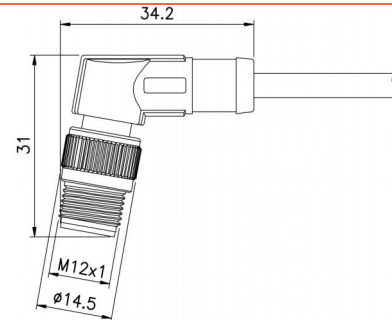


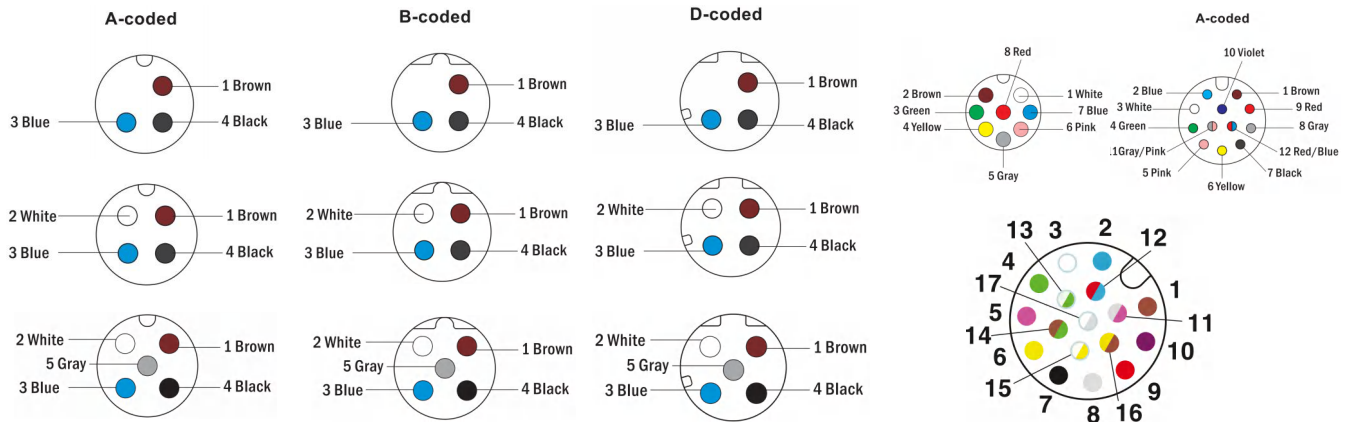
M12 Series



- M12 male molded cable , 90degree
- Description:M12 male molded 90degree cable with free end,A/B/D coded



Assembly Instruction



Technical Data

Pin No.	3	4	5	8	12	17	5	4
Coding	A	A	A	A	A	A	B	D
Pin for reference								
Type	Molded							
Rated current	4A	4A	4A	2A	1.5A	1.5A	4A	4A
Rated voltage	250V	250V	60V	30V	30V	30V	60V	250V
Operating Temperature	-25℃~85℃							
Degree of protection	IP67/IP68							
Connector locking system	Solder							
Mechanical operation	>500 mating cycles							
Contact resistance	≤10mΩ							
Material of connector	CuZn, TPU or PVC							
Contact plating	Au(gold plating)							
Cable AWG	26AWG -22AWG /Custom							

Order Information

Part No.	Model No.
M12- <input type="text"/> -MR- <input type="text"/> - <input type="text"/> - <input type="text"/> Coded Pin No. Length Cable materials	RG121001
Remark: We usually made the free end type strip 30mm. shielded wire contact the metal shell .contact us any time if you have custom requirements.	