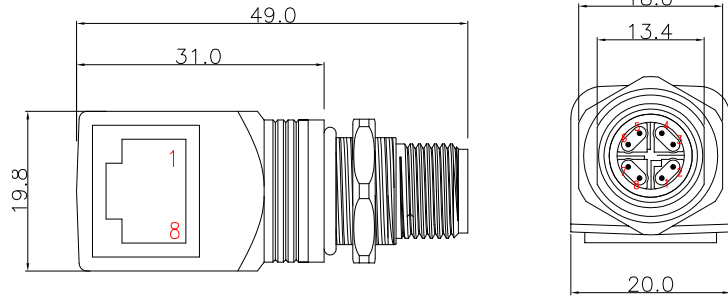


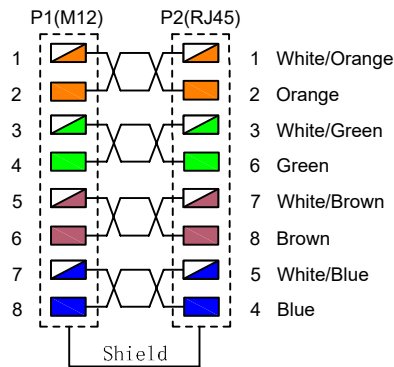
M12 Series

- M12 male/RJ45 adapter,90degree,shielded
- Description:M12 male/RJ45 90degree plastic adapter,X coded,shielded

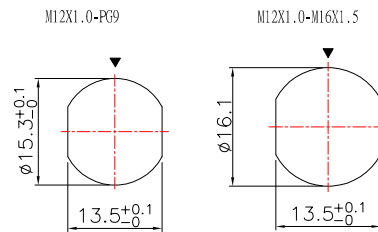


Assembly Instruction

M12 male 8X coded/RJ45 wiring definition (shielded):



Hole size:



Technical Data

Pin No.	8
Coding	X
Pin for reference	
Type	Adapter
Rated current	2A
Rated voltage	30V
Operating Temperature	-25 °C ~85 °C
Degree of protection	IP67/IP68
Connector locking system	Solder
Mechanical operation	>500 mating cycles
Contact resistance	≤10mΩ
Material of connector	CuZn,TPU
Contact plating	Au(gold plating)
Standard	IEC

Order Information

Part No.	Model No.
M12-X-8-M-RJ45-RA	RG124014

Remark:Contact us any time if you have custom requirements.