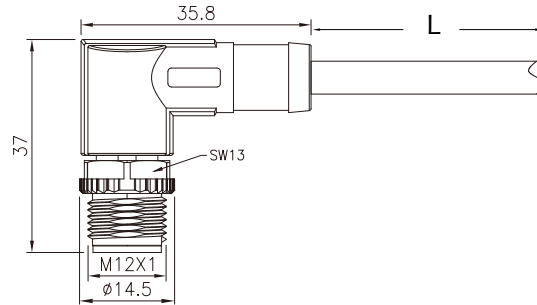


# M12 Series

- M12 male molded cable ,90degree
- Description:M12 male molded 90degree cable with free end,X Y coded



## Assembly Instruction

Core position	Core color						Core position
	Male	8X		6Y		8Y	
1	Orange/White		Orange/White		Orange/White		1
2	Orange		Orange		Orange		2
3	Green/White		Green/White		Green/White		3
4	Green		Green		Green		4
5	Brown/White		Blue		Blue		5
6	Brown		Brown		Brown		6
7	Blue/White				White		7
8	Blue				Black		8

## Technical Data

Pin No.	8		6		8	
Coding	X		Y		Y	
Pin for reference						
Type	Molded					
Rated current	0.5A		0.5A		0.5A	
Rated voltage	60V		30V		30V	
Operating Temperature	-25 C ~85 C					
Degree of protection	IP67/IP68					
Connector locking system	Solder					
Mechanical operation	>500 mating cycles					
Contact resistance	≤10mΩ					
Material of connector	CuZn					
Contact plating	Au(gold plating)					
Cable size	26~24AWG		2x26AWG+ 4x20AWG		4x26AWG+ 4x20AWG	

## Order Information

Part No.	Model No.
M12- <input type="text"/> -MR- <input type="text"/> - <input type="text"/> - <input type="text"/> Coded                      Pin No.                      Length                      Cable materials	RG121011
Remark: We usually made the free end type strip 30mm. contact us any time if you have custom requirements.	