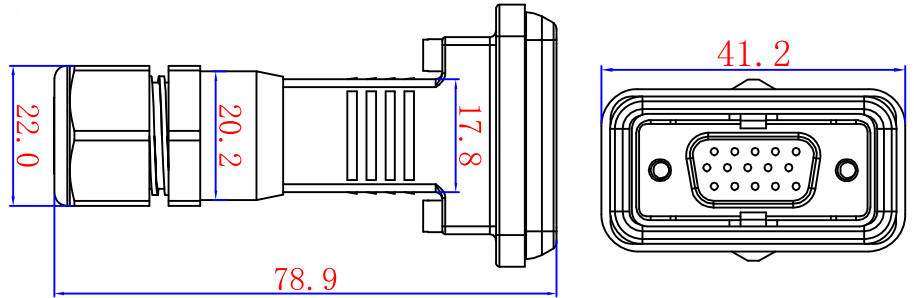
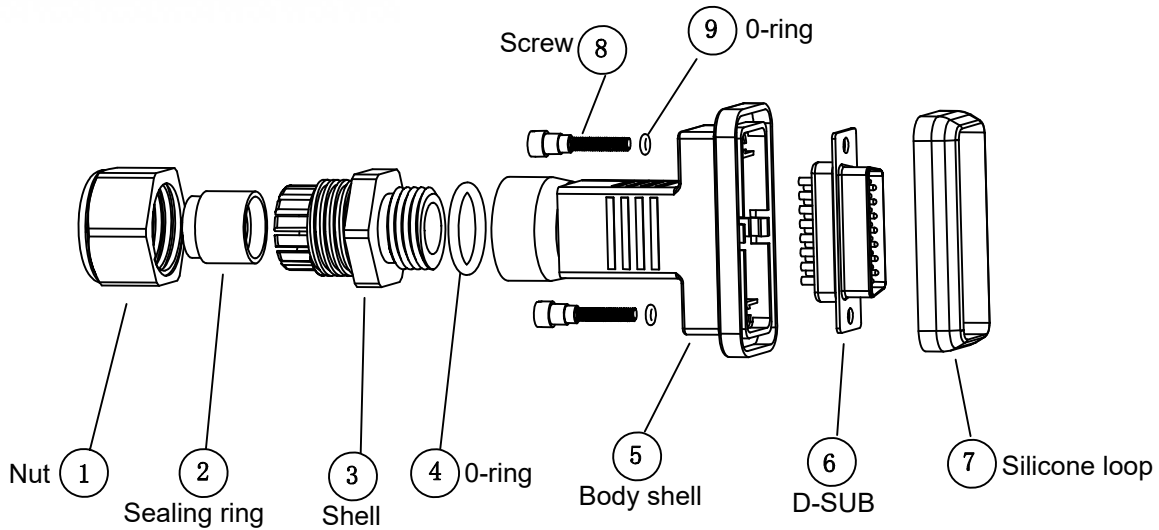


D-SUB Series

- HDB waterproof connector
- Description: HDB 15pin female field wirable assembly waterproof connector



Assembly Instruction



Technical Data

Pin No.	15
Pin for reference	
Type	Assembly
Operating Temperature	-30 C ~ 105 C
Degree of protection	IP67/IP68
Connector locking system	Solder
Mechanical operation	>500 mating cycles
Contact resistance	≤10mΩ
Material of connector	CuZn PA66
Contact plating	Au(gold plating)
Cable OD	5.0mm~10.0mm

Order Information

■ Part No.	■ Model No.
HDB-15-F	SYW-HDB06

Remark: Contact us any time if you have custom requirements.