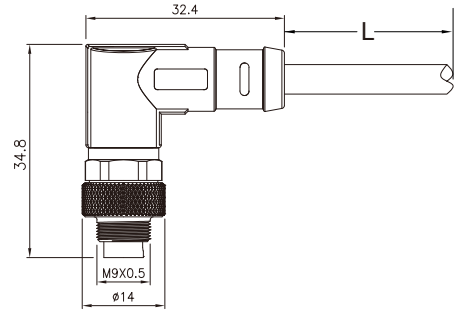


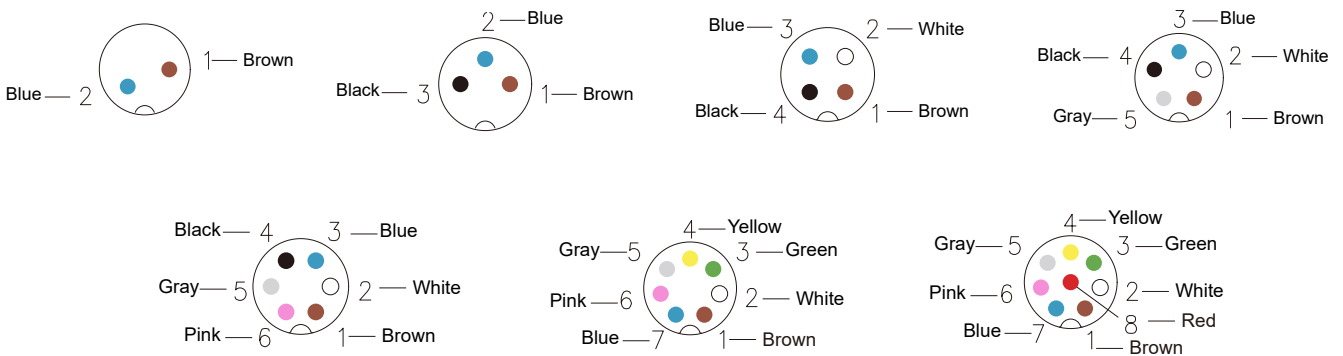
M9 Series



- M9 male molded cable ,90degree.
- Description:M9 male molded 90degree cable with free end.



Assembly Instruction



Technical Data

Pin No.	2	3	4	5	6	7	8
Coding	A	A	A	A	A	A	A
Pin for reference							
Type	Molded						
Rated current	4A	4A	3A	3A	1A	1A	1A
Rated voltage	125V	125V	125V	125V	125V	125V	125V
Operating Temperature	-25 C ~70 C						
Degree of protection	IP67						
Connector locking system	Solder						
Mechanical operation	>500 mating cycles						
Contact resistance	≤3mΩ						
Material of connector	CuZn						
Contact plating	Au(gold plating)						
Cable size	24AWG	24AWG	24AWG	24AWG	26AWG	26AWG	26AWG

Order Information

■ Part No.	■ Model No.
M9-A-MR- <input type="text"/> - <input type="text"/> - <input type="text"/>	SYW091002
Pin No. Length Cable materials	

Remark: We usually made the free end type strip 30mm. shielded wire contact the metal shell .contact us any time if you have custom requirements.